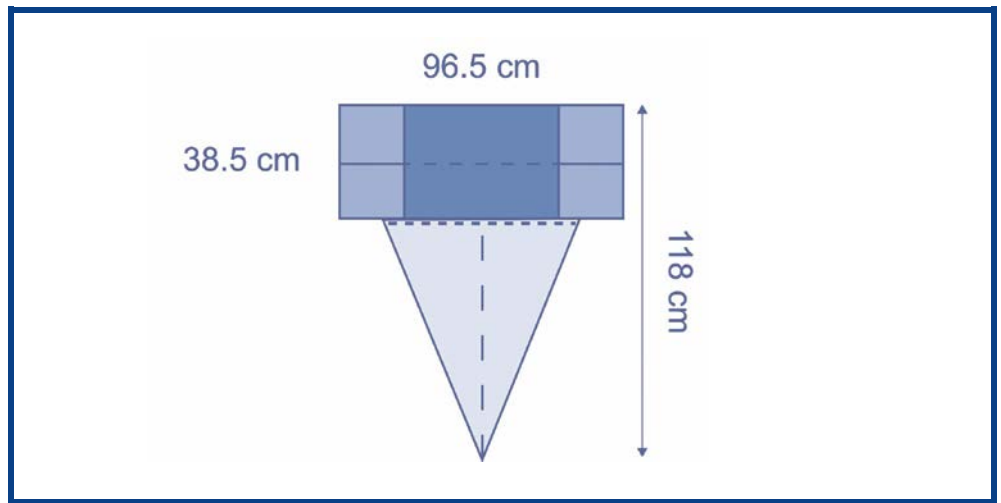




Medline International France SAS

5 rue Charles Lindbergh
44110 Châteaubriant

www.medline.com/en/



Technical sheet

Under Buttocks Drape with Pouch

Reference(s)

8484CEA

Description

A sterile wrap 56x56 cm contains:

- 1 Under buttocks drape, 96,5x118 cm, 53x45 cm reinforcement, fluid collection pouch with gauge

Main materials

Blue PE (polyethylene)

Polyrayon absorbent reinforcement (polyester + viscose)

Pack factor

36 units per carton

Packaging

Vented sterilization pouch

1 polyliner contains all the units in a carton box

Manufacturer

Medline International France SAS

EN ISO 13485

Regulation

In compliance with Medical Devices Directive 93/42/EEC

In compliance with the standard EN13795

MDD Class: I sterile



Latex free



0086



STERILE EO

© 2013 Medline Industries Inc. or one of its subsidiaries.
All rights reserved.

LIT-8484CEA-EN03

01.01.INT.12