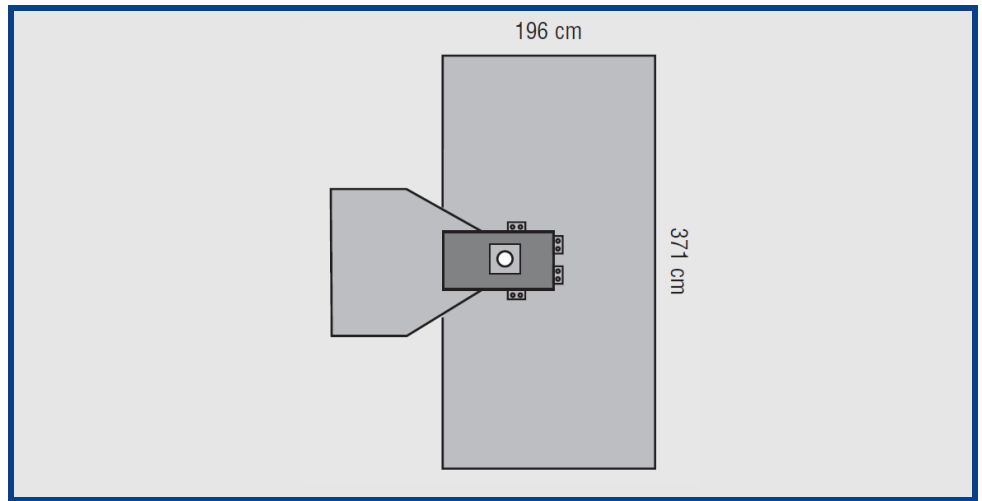




Medline International France SAS

5 rue Charles Lindbergh  
44110 Châteaubriant

[www.medline.com/uk](http://www.medline.com/uk)



## Technical sheet

## Hand drape

### Reference(s)

**29419CE**

### Description

A sterile wrap 86x86 cm contains:

- 1 Hand drape, 196x371 cm, 43x86 cm reinforcement, 135x169 cm armboard cover, 5 cm diameter elastic fenestration, 4 cord holding tabs

### Main materials

Optima® 72g/m<sup>2</sup> (polyester + woodpulp)

Polyrayon reinforcement 64g/m<sup>2</sup> (rayon + polyester)

### Pack factor

18 units per carton

### Packaging

Sterilization pouch

2 polyliners contain all the units in a carton box

### Manufacturer

Medline International France SAS

EN ISO 13485

### Regulation

In compliance with Medical Devices Directive 93/42/EEC

MDD Class: I sterile



Latex free



0123



STERILE R

© 2011 Medline Industries Inc. or one of its subsidiaries.  
All rights reserved.

LIT-29419CE-EN01

01.05.SUB.04