



**COVIDIEN**

*positive results for life™*

## Valleylab™ Rocker Switch Pencil withstands the test of time

### Durable

- The reusable Valleylab™ rocker switch pencil is produced using state-of-the-art manufacturing processes to create a solid, seamless, easy-to-clean electrocautery pencil. The seamless design withstands the rigors of automatic or manual cleaning.

### Reliable

- At the heart of the pencil is a stainless steel switch that utilizes a unique, self-cleaning, dual-contact design. The stainless steel switch provides superior tactile feel and a reliable electrical connection throughout its extended life. The sealed rocker switch cover and elastomeric lip around the electrode contact help prevent the buildup of biological and reprocessing contamination. The 15 ft, low-tack silicone cord withstands tough operating conditions.

### Ergonomic

- The elastomeric surface improves the surgeon's grip even when the pencil surface is wet.

For surgeons who want great value, enhanced performance, and a sure grip feel—even when their electrocautery pencil surface is wet—the reusable Valleylab™ rocker switch pencil has from Covidien withstood the test of time.



## Sterilization Recommendations:

### Steam Wrapped

Vacuum Assisted,  
132° - 138° C for 4 minutes  
Gravity Displacement,  
132° - 138° C for 10 minutes  
Gravity Displacement,  
121° - 131° C for 20 minutes

### Steam Unwrapped ("flash" sterilization)

Vacuum Assisted,  
132° - 138° C for 4 minutes  
Gravity Displacement,  
132° - 138° C for 10 minutes

### EtO

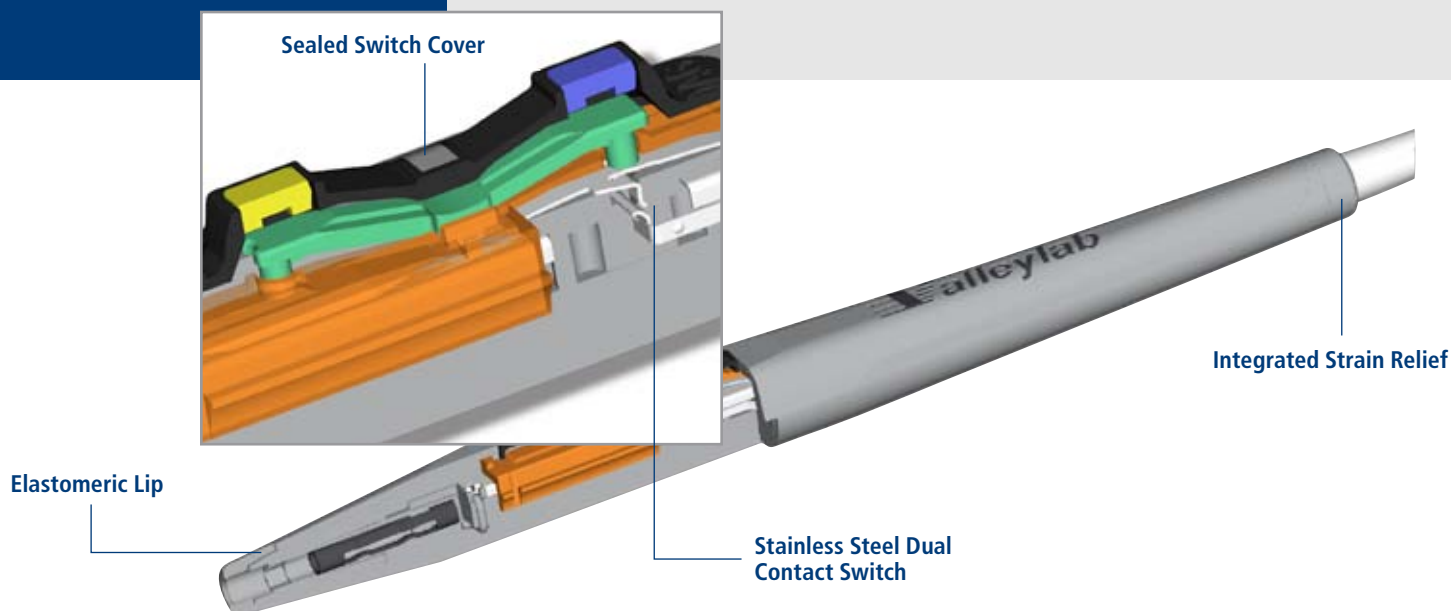
Concentration EtO: 600 mg/liter  
Temperature: 54° C  
Humidity: 40% to 60% RH  
Exposure time: 1 hour 45 minutes  
Aeration time: 24 hours at 54° C

## Valleylab™ Rocker Switch Pencil Specifications

<b>Activation:</b>	Handswitch rocker activated
<b>Electrode:</b>	2.4 mm reusable electrode
<b>Cord:</b>	Low-tack silicone: 4.6 m length. Strain relief at pencil and connector
<b>Switch:</b>	Self-cleaning stainless steel dual point contacts
<b>Body:</b>	Solid overmolded design
<b>Electrode Contact:</b>	Spring loaded nickel plated beryllium-copper
<b>Pencil Life Validation:</b>	Validated for the following cleaning and processing instructions when using the recommended detergents according to the manufacturer's instructions. <ul style="list-style-type: none"><li>• Manual cleaning with Hexanios™ or Klenzyme™.</li><li>• Automatic cleaning in a Steris™ model Reliance™ 444 single chamber washer with Klenzyme™, H-Klenz II™ (11 pH), citric acid, and HingeFree™ at 82° C.</li><li>• 50-use life validated with vacuum assisted steam up to 138° C 20 minutes duration, or 100% EtO sterilization.</li></ul>

## Order Information

Catalog Number	Description	Order Quantity
E2100	Valleylab™ Rocker Switch Pencil, reusable, 4.6 m	10/case
E2100E	Valleylab™ Rocker Switch Pencil, Erbe™, reusable, 4.6 m	10/case
E2400	Accessory Holster	50/case
E2401	Tip Cleaner	100/case



**IMPORTANT:** Please refer to the package insert for complete instructions, contraindications, warnings and precautions

COVIDIEN, COVIDIEN with logo, Covidien logo and "positive results for life" are internationally registered trademarks of Covidien AG.™ Trademark of a Covidien company.™\* Trademarks of its respective owner. © 2011 Covidien. - V ES E2100 GB - 09/2011

COVIDIEN (UK)  
COMMERCIAL LTD

4500 PARWAY  
WHITELEY  
FAREHAM  
HAMPSHIRE  
PO15 7NY

+44 (0) 1329 224000 [T]  
+44 (0) 1329 220213 [F]

COVIDIEN IRELAND  
COMMERCIAL LTD

BLOCK G, GROUND FLOOR  
CHERRYWOOD BUSINESS PARK,  
LOUGHLINSTOWN,  
CO. DUBLIN

+353 (0) 1 4073 173 [T]  
+353 (0) 1 4073 174 [F]

WWW.COVIDIEN.COM