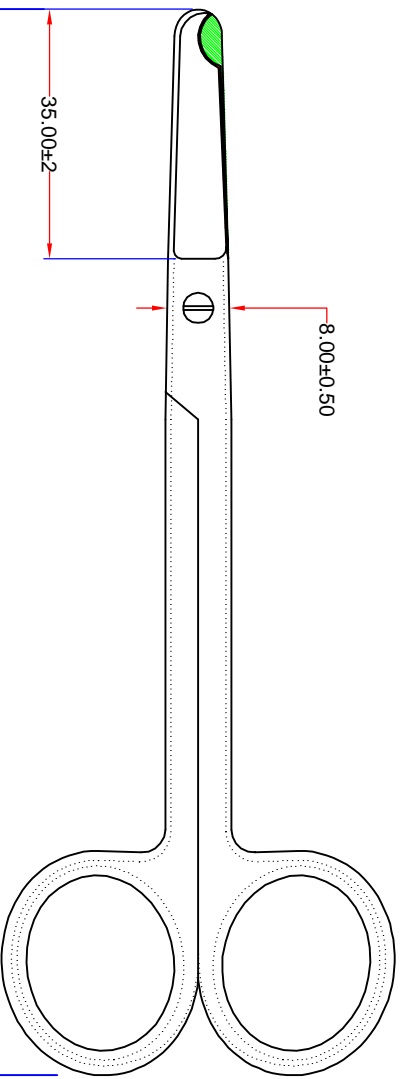
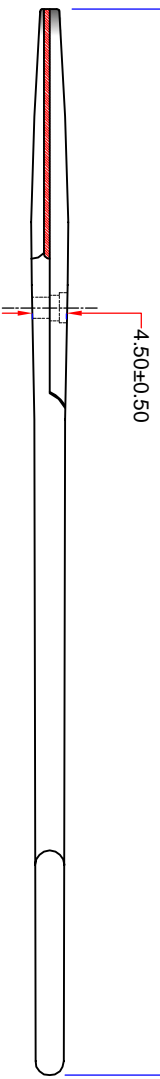


FRONT VIEW

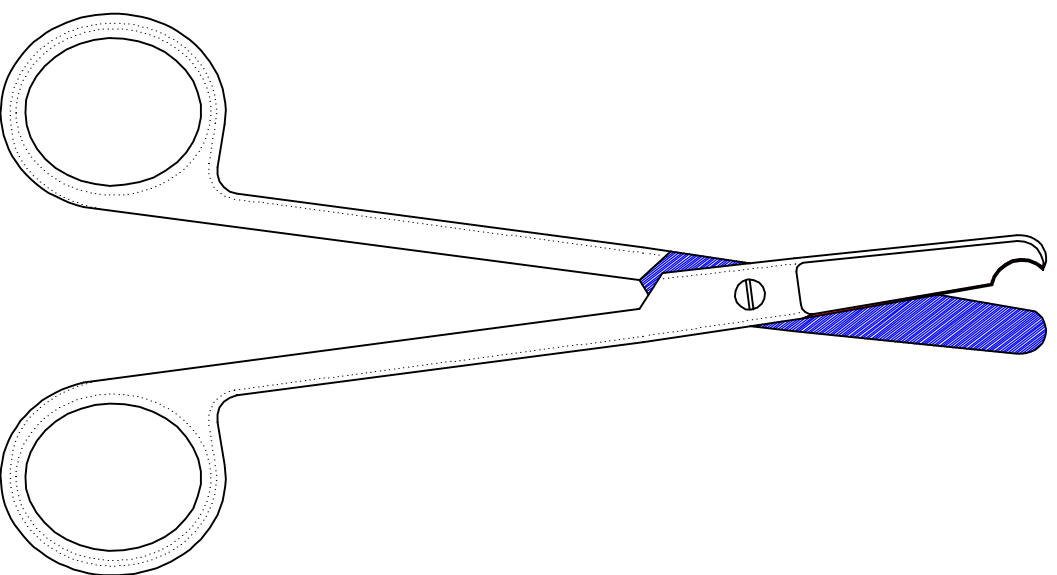


TOTAL LENGTH 140.00MM±5.00MM

SIDE VIEW



4.50±0.50



Device Name: Litaner Stitch Scissors			
Size: 14cm / 140mm (5.5")	Finish: Sand		
Code: SKG-1102-14	Weight: 38g ±5g		
Customer Code:	Sheet: 1 of 1	Scale: 1 : 1	
Configuration: Straight & Blunt/ Moon Cut			

Material: Stainless Steel A.I.S.I 420	Rev #	Description	Date	Approved By
Hardness: HRC 48 to 52	00			
Dated: 20 Jul, 2017				
Dimensions: Metric				
Tolerance: ± 0.50mm	Unless Specified On The Drawing Itself			

Drawn By: *aqeel-ur-rehman*

CAD Designer

Approved By: *Mirza Asif Iqbal*



Toor Abad, Daska Road,
Sialkot-Pakistan
URL:
www.surgikare.com