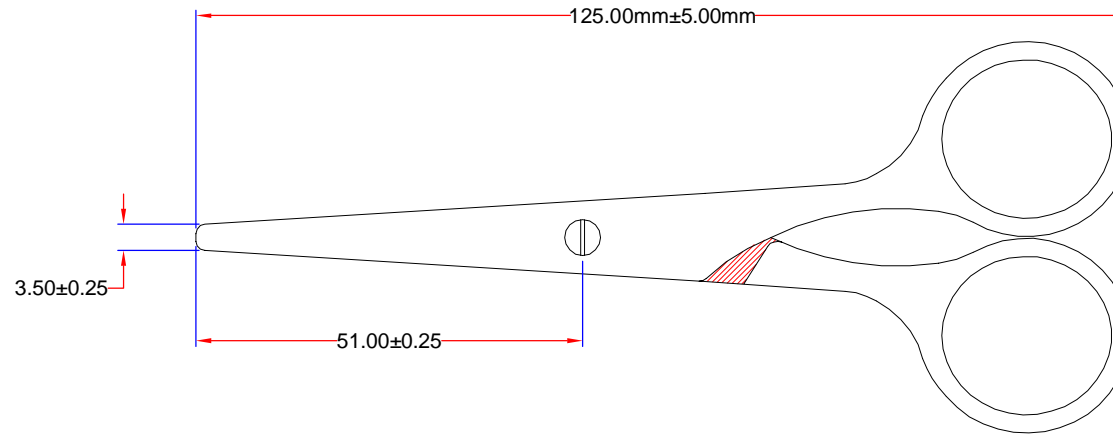
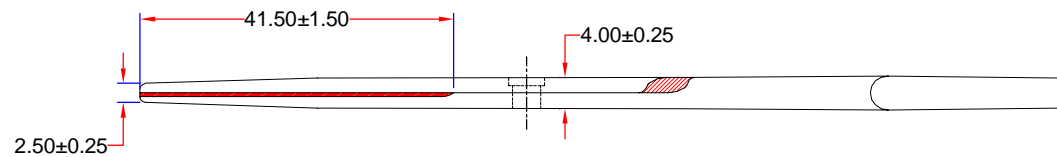



**FRONT VIEW**



**SIDE VIEW**



<b>Device Name:</b> Mayo Still Scissors (Sewing)		<b>Material:</b> Stainless Steel A.I.S.I 420	<b>Rev #</b>	<b>Description</b>	<b>Date</b>	<b>Approved By</b>
<b>Size:</b> 12.5cm / 125mm	<b>Finish:</b> Sand	<b>Hardness:</b> HRC 48 to 52	00			Drawn By: <u>aqeel-ur-rehman</u> CAD Designer
<b>Code:</b> SKG-40-368	<b>Weight:</b> 31g ± 3g	<b>Dated:</b> 21 Feb, 2019				
<b>Customer Code:</b>	<b>Sheet:</b> 1 of 1	<b>Scale:</b> 1 : 1				Approved By: <u>Mr. Sahir Ghuman</u> 
<b>Configuration:</b> Straight, Flat		<b>Tolerance:</b> ± 0.50mm Unless Specified On The Drawing Itself				



Toor Abad, Daska Road,  
Sialkot-Pakistan  
**URL:**  
[www.surgikare.com](http://www.surgikare.com)