

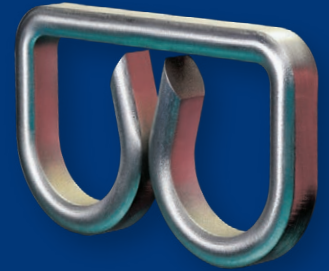


COVIDIEN

positive results for life™

Directional Stapling Technology

Improved reliability in staple formation



DST Series™ TA™ Product Brochure



**DST Series™
Technology**

DST Series™ TA™ Stapler

Linear stapler designed with 4.8 mm, 3.5 mm, and 2.5 mm stapler heights, which may improve security (resistance to fluid leakage) during surgical resection.¹



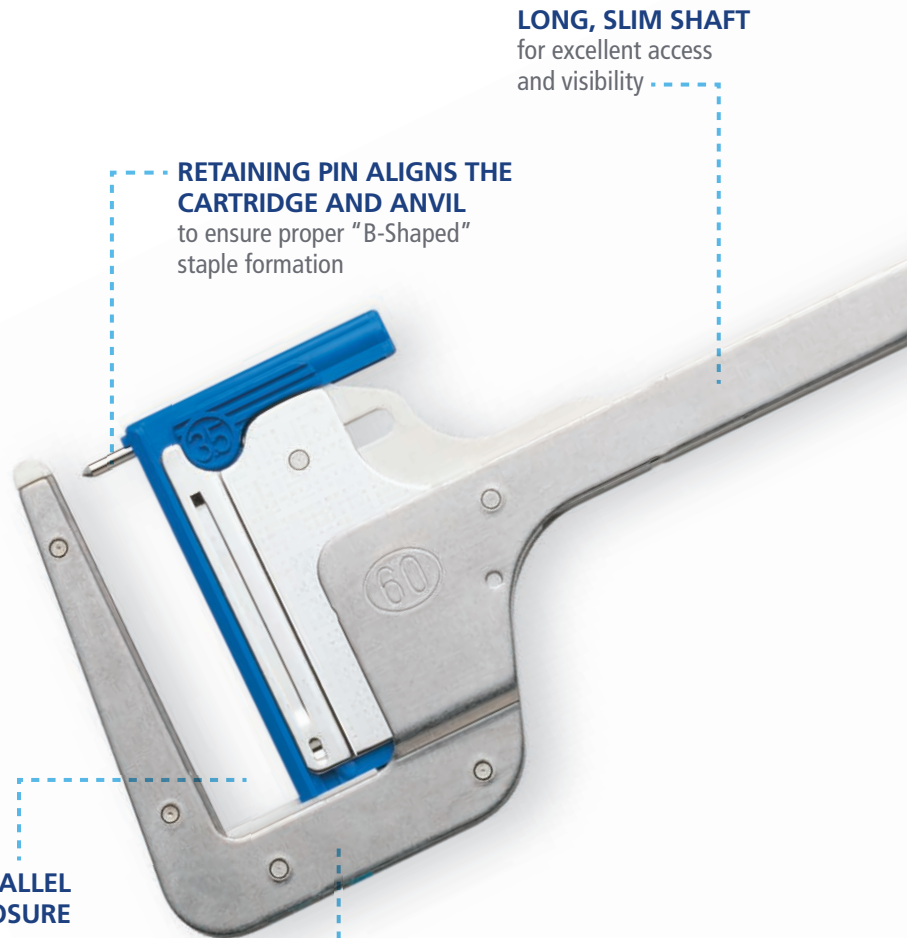
DISPOSABLE LOADING UNIT
with secure grip



CONFIRMATION OF FIRING
when yellow pushers are visible



**PARALLEL
JAW CLOSURE**



**RETAINING PIN ALIGNS THE
CARTRIDGE AND ANVIL**
to ensure proper "B-Shaped"
staple formation

LONG, SLIM SHAFT
for excellent access
and visibility

STRONG, LOW PROFILE ANVIL
provides optimum access without deflection
Low profile body/head for improved access
and visibility

- Cutting guide
- Two staggered rows of DST Series™ staples, three for vascular
- DST Series™ technology for superior staple strength
- DST Series™ TA™ can be reloaded 7 times for a total of 8 firings. Benefits hospital by reducing costs



**ERGONOMIC,
ONE-HANDED DESIGN**
for ease of use

**RUBBER INLAY
GRIPS**

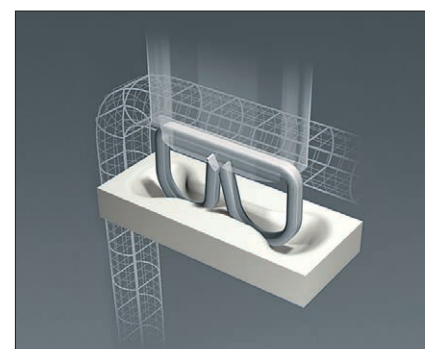
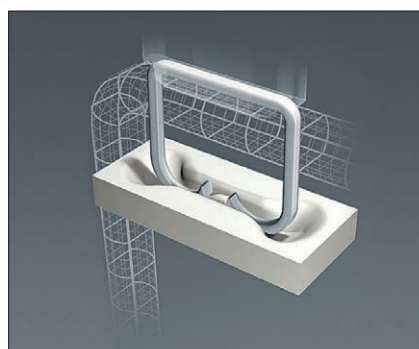
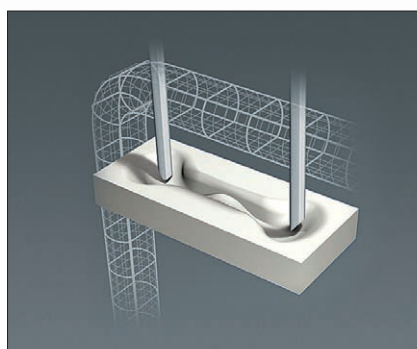
**BLACK RELEASE
BUTTON**
for easy opening



AUTOMATIC/REMOTE, MANUAL PIN
placement for flexibility and control



DUAL ACTION HANDLE
for closing/firing stapler with
tactile pre-clamp position

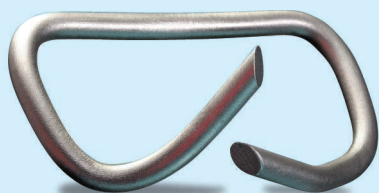


Covidien's proven DST Series™ staple geometry provides superior staple strength^{1,2}

DST SERIES™ TA™ SINGLE USE STAPLER PRODUCT SPECIFICATIONS

Stapler	Product Description	Cartridges Available	Staple Length Before Closure	Staple Leg Length Closed	Color	Number of Reloads/ Total Number of Firings	Number of Staples	Staple Cross Section	Rows of Staples
TA30V3S	DST Series™ TA™ 30 mm	TA30V3L	2.5 mm	1.0 mm	White	7/8	23	.18 X .27 mm	3
TA3035S	DST Series™ TA™ 30 mm	TA3035L	3.5 mm	1.5 mm	Blue	7/8	11	.19 X .30 mm	2
TA3048S	DST Series™ TA™ 30 mm	TA3048L	4.8 mm	2.0 mm	Green	7/8	11	.24 X .35 mm	2
TA4535S	DST Series™ TA™ 45 mm	TA4535L	3.5 mm	1.5 mm	Blue	7/8	15	.19 X .30 mm	2
TA4548S	DST Series™ TA™ 45 mm	TA4548L	4.8 mm	2.0 mm	Green	7/8	15	.24 X .35 mm	2
TA6035S	DST Series™ TA™ 60 mm	TA6035L	3.5 mm	1.5 mm	Blue	7/8	21	.19 X .30 mm	2
TA6048S	DST Series™ TA™ 60 mm	TA6048L	4.8 mm	2.0 mm	Green	7/8	21	.24 X .35 mm	2
TA9035S	DST Series™ TA™ 90 mm	TA9035L	3.5 mm	1.5 mm	Blue	7/8	33	.19 X .30 mm	2
TA9048S	DST Series™ TA™ 90 mm	TA9048L	4.8 mm	2.0 mm	Green	7/8	33	.24 X .35 mm	2

STAPLING MADE SMARTER



Traditional Staple

Round wire cross-section is more prone to bend in any direction in challenging applications.



DST Series™ Staple

Rectangular wire cross-section bends more reliably in the intended direction.



¹ Rodeheaver, Directional Stapling Technology: Improved Reliability in Staple Formation in canine models (DST Series™ TA™ Stapler), 2006. M120196 – Data on file.

² "Evaluation comparing the staple line strength in Tyvek media of Covidien and competitive blue and green stapler reloads, in which both Covidien's blue and green TA™ reloads demonstrated superior staple line strength as compared to the competitive device. p<0.001 (Covidien Engineering Report No. RDTs-047 entitled "RALC Performance Testing - Tyvek Pull Test" dated 03/24/11; Covidien internal testing).