



Stille Retractors



STILLE

Skin & Nerve Hooks

Gillies / Stenström

Small skin hook with perforated handle.

- 108-24108- Gillies/Stenström 7.5 cm 3"
- 108-24109- Stenström/Stille 7.5 cm 3"



Gillies

Skin hook with small or large hook on long flat shaft.

- 108-24110- Small hook 19 cm 7.5"
- 108-24112- Large hook 19 cm 7.5"



Kilner Skin Hook

Delicate skin hook with flat shaft.

- 108-24120- 15 cm 6"



Stille Nerve Hook

Blunt nerve hook on long flat shaft.

- 108-24320- Slightly curved, 22 cm 8.75"



Standard Retractors

Stille Allar

With two sharp prongs.

- 108-24210- 8 cm 3.25"



Moberg

- 108-24380- 14x5 mm, 17 cm 6.75"
- 108-24381- Ergo 14x5 mm, 17 cm 6.75"



Strandell

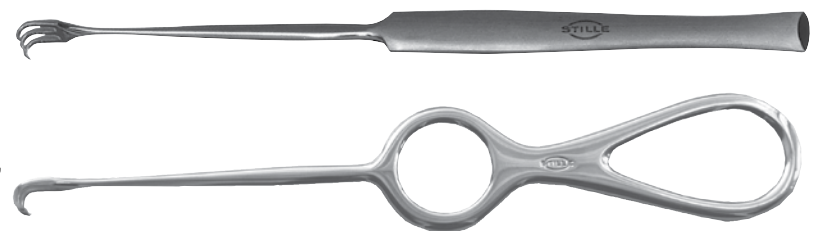
Long shaft and two different blade lengths.

- 108-24385-8 8x5 mm with teeth, 19 cm 7.5"
- 108-24385-15 15x5 mm with teeth, 19 cm 7.5"



Stille Retractor

- 108-24400-1 One sharp prong, 18 cm 7"
- 108-24400-2 Two sharp prongs, 18 cm 7"
- 108-24400-3 Three sharp prongs, 18 cm 7"
- 108-24402-2 Two blunt prongs, 18 cm 7"
- 108-24402-3 Three blunt prongs, 18 cm 7"
- 108-24401-2 Ergo Two sharp prongs, 18 cm 7"
- 108-24401-3 Ergo Three sharp prongs, 18 cm 7"
- 108-24403-2 Ergo Two blunt prongs, 18 cm 7"
- 108-24403-3 Ergo Three blunt prongs, 18 cm 7"



Volkman

- 108-24679-1 One sharp small prong, 21.5 cm 8.5"
- 108-24680-1 One sharp large prong, 21.5 cm 8.5"



Volkman

- 108-24680-2 Two sharp prongs, 22 cm 8.75"
- 108-24680-3 Three sharp prongs, 22 cm 8.75"
- 108-24680-4 Four sharp prongs, 22 cm 8.75"
- 108-24682-2 Two blunt prongs, 22 cm 8.75"
- 108-24682-3 Three blunt prongs, 22 cm 8.75"
- 108-24682-4 Four blunt prongs, 22 cm 8.75"



• Picture shows this instrument. Picture not shown actual size.

Carlens-Stille Trachea Retractor

- 108-24805- Double-ended, 22 cm 8.75"



Ragnell

Double-ended retractor with two blades.

- 108-24808- 9x3 mm / 15x5 mm, 15 cm 6"



Doyen Abdominal Retractor

- 108-24930-20 90x20 mm, 22 cm 8.75"
- 108-24930-30 90x30 mm, 22 cm 8.75"
- 108-24935-35 110x35 mm, 22 cm 8.75"
- 108-24935-40 110x40 mm, 22 cm 8.75"
- 108-24935-55 110x55 mm, 22 cm 8.75"



Langenbeck Retractor

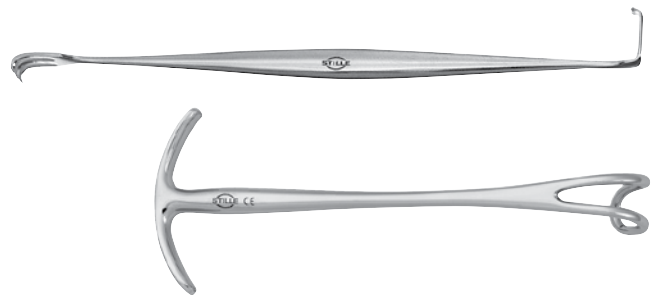
- 108-24812-7 20x7 mm, 21 cm 8.25"
- 108-24814-10 30x10 mm, 21 cm 8.25"
- 108-24814-15 30x15 mm, 21 cm 8.25"
- 108-24814-20 30x20 mm, 21 cm 8.25"
- 108-24816-20 45x20 mm, 21 cm 8.25"



Senn

Double-ended retractor

- 108-25940- Blade 15x5 mm / 3 sharp prongs, 15 cm 6"
- 108-26038-



Löfberg Thyroid Retractor

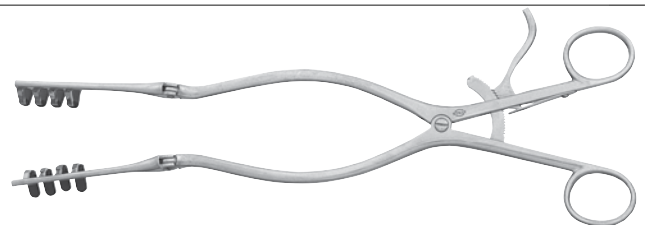
- 108-25552- 13 cm 5"



Self Retaining Retractors

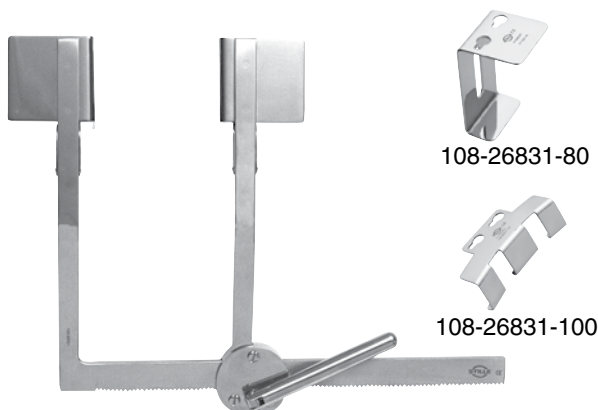
ADSON

- 108-26610- 4x4 sharp 25mm prongs, 32 cm 12.5"
- 108-26615- 5x5 sharp 45 mm prongs, 32 cm 12.5"
- 108-26620- 5x5 sharp 25/45 mm prongs, 32 cm 12.5"
- 108-26621- 5x5 sharp 45/25 mm prongs, 32 cm 12.5"



FINOCHIETTO RIB SPREADER


- 108-26931- Complete with interchangeable 50x50 mm blades, max width 220 mm
- 108-26931- 80 80x50 mm blades, 1 pair
- 108-26931-100 30x100 mm blades, 1 pair



PERMAN ABDOMINAL

- 108-26865- Blades 65 mm deep, max width 180 mm, length 18 cm 7"





Stille Instruments -an extension of the surgeon's hand

Since 1841, Stille has been part of surgery of its finest form.

From the introduction of the double action rongeur in the early 1870's, to breakthroughs in stainless steel (1923), Super Cut scissors (1983), and other innovations, Stille instruments are the choice of the world's finest surgeons.

At Stille, one can still see master craftsmen and metalsmiths producing instruments of such precision that they could be considered works of art. The high polished finish guarantees that the instruments are easy to clean and thereby withstand corrosion in the best possible way. All instruments are delivered with Stille's 10 year warranty covering errors in material and workmanship.

The range of Stille Retractors includes skin hooks, nerve hooks, hand retractors and self retaining retractors. All with perfectly beveled blades and prongs to ensure atraumatic handling of sensitive tissues. Handles are designed to ensure a comfortable grip.

For further information, contact your Stille representative.

Distributed by:



Stille Surgical AB
Sundbybergsvägen 1A
SE-171 73 Solna, Sweden
PHONE: +46 8 588 580 00
FAX: +46 8 588 580 05
Email: info@stille.se
www.stille.se