



# Patient Connections




## Double swivel elbows

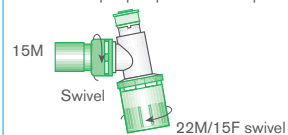
A range of double swivel elbows providing added mobility at the patient connection, with a variety of ports for all clinical applications. For added safety all Intersurgical port caps are fixed to the connectors, to prevent loss or misplacement in use.

Please see page 4 for our guide to ports and caps.

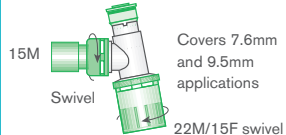
▶ Video available at [www.intersurgical.com](http://www.intersurgical.com)



<b>Code</b>	1897000 (S*)
<b>Box Qty.</b>	35 (15*)
<b>Compressible Volume</b>	12ml



<b>Code</b>	1899000 (S*)
<b>Box Qty.</b>	30 (15*)
<b>Compressible Volume</b>	12ml



<b>Code</b>	1898000 (S*)
<b>Box Qty.</b>	35 (15*)
<b>Compressible Volume</b>	12ml

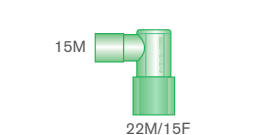


## Fixed elbows

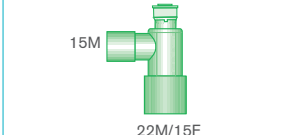
A range of fixed elbow connections with a variety of ports for a number of clinical applications. For added safety all Intersurgical port caps are fixed to the connectors, to prevent loss or misplacement in use.

Please see page 4 for our guide to ports and caps.

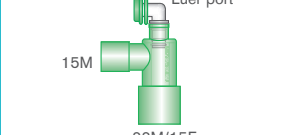
▶ Video available at [www.intersurgical.com](http://www.intersurgical.com)



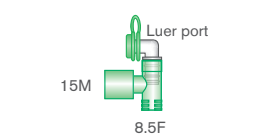
<b>Code</b>	1997000 (S*)
<b>Box Qty.</b>	30 (15*)
<b>Compressible Volume</b>	10ml



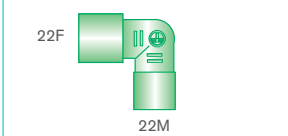
<b>Code</b>	1993000
<b>Box Qty.</b>	30
<b>Compressible Volume</b>	10ml



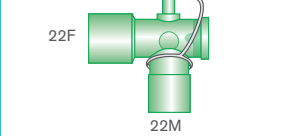
<b>Code</b>	2714000 (S*)
<b>Box Qty.</b>	25 (15*)
<b>Compressible Volume</b>	11ml

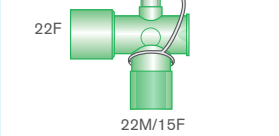
<b>Code</b>	1883000
<b>Box Qty.</b>	70



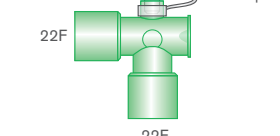
<b>Code</b>	1992000
<b>Box Qty.</b>	25



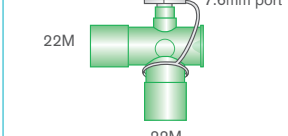
<b>Code</b>	1991000
<b>Box Qty.</b>	20



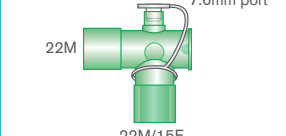
<b>Code</b>	1893000
<b>Box Qty.</b>	25



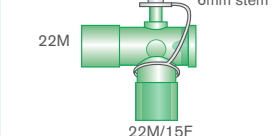
<b>Code</b>	1891000
<b>Box Qty.</b>	25



<b>Code</b>	1892000
<b>Box Qty.</b>	25



<b>Code</b>	1995000
<b>Box Qty.</b>	25



<b>Code</b>	1990000
<b>Box Qty.</b>	25

Ⓢ Sterile option available

(S\*) Add an S to the seven digit code number for the sterile version of this product eg. 5000000S (sterile box quantity is shown in brackets).

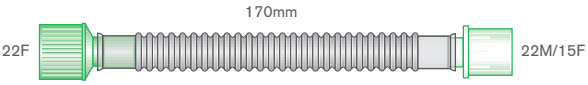
## Flexible catheter mounts

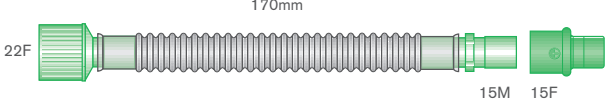
A range of flexible catheter mounts available with a variety of elbow connections and ports for all applications. For added safety all Intersurgical port caps are fixed to the connectors, to prevent loss or misplacement in use.

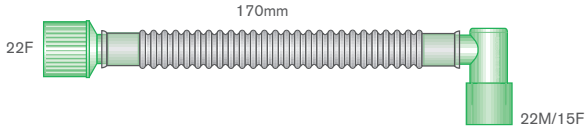
Please see page 4 for our guide to ports and caps.

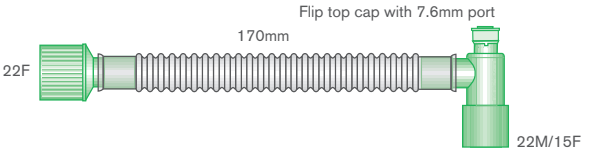
▶ Video available at [www.intersurgical.com](http://www.intersurgical.com)

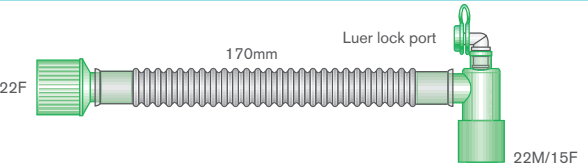


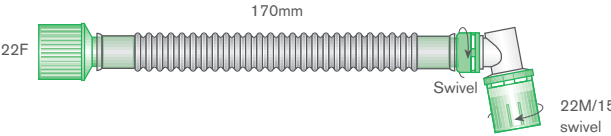

<b>Code</b> 3511000
<b>Box Qty.</b> 50
<b>Compressible Volume</b> 44ml

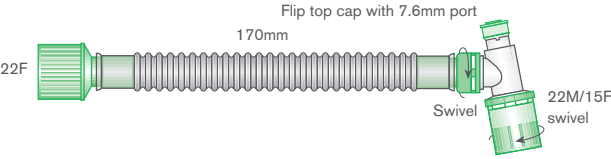
<b>Nasal catheter mount</b>	
	
<b>Code</b> 3517000	
<b>Box Qty.</b> 50	
<b>Compressible Volume</b> 43ml	

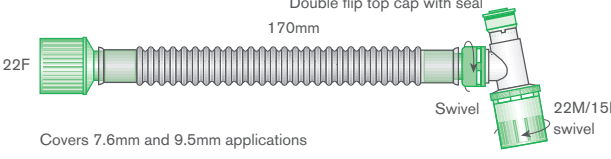

<b>Code</b> 3501000 (S*)
<b>Box Qty.</b> 50 (85*)
<b>Compressible Volume</b> 45ml


<b>Code</b> 3508000
<b>Box Qty.</b> 50
<b>Compressible Volume</b> 49ml


<b>Code</b> 3515000
<b>Box Qty.</b> 40
<b>Compressible Volume</b> 50ml


<b>Code</b> 3506000
<b>Box Qty.</b> 50
<b>Compressible Volume</b> 48ml


<b>Code</b> 3516000 (S*)
<b>Box Qty.</b> 50 (85*)
<b>Compressible Volume</b> 47ml


<b>Code</b> 3505000 (S*)
<b>Box Qty.</b> 50 (85*)
<b>Compressible Volume</b> 48ml

**S** Sterile option available

(S\*) Add an S to the seven digit code number for the sterile version of this product eg. 5000000S (sterile box quantity is shown in brackets).

## Superset™ catheter mounts

Superset catheter mounts have a concertina design to allow for complete positioning control.

The design allows the adjustment of compressible volume and the adjustment of length from 70mm to 150mm, excluding connectors.

The range is available with fixed and double swivel elbows and a variety of ports for all applications. For added safety all Intersurgical port caps are fixed to the connectors, to prevent loss or misplacement in use.

Please see page 4 for the guide to ports and caps.



▶ Video available at [www.intersurgical.com](http://www.intersurgical.com)

<b>Code</b>	3504000 (S*)
<b>Box Qty.</b>	75 (75*)
<b>Compressible Volume</b>	22-43ml

<b>Code</b>	3502000 (S*)
<b>Box Qty.</b>	75 (40*)
<b>Compressible Volume</b>	23-44ml

<b>Code</b>	3514000 (S*)
<b>Box Qty.</b>	75 (40*)
<b>Compressible Volume</b>	26-47ml

<b>Code</b>	3512000
<b>Box Qty.</b>	75
<b>Compressible Volume</b>	27-47ml

<b>Code</b>	3520000 (S*)
<b>Box Qty.</b>	75 (40*)
<b>Compressible Volume</b>	23-47ml

Covers 7.6mm and 9.5mm applications	
<b>Code</b>	3521000 (S*)
<b>Box Qty.</b>	75 (40*)
<b>Compressible Volume</b>	26-50ml

<b>Code</b>	3535000
<b>Box Qty.</b>	15
<b>Compressible Volume</b>	13-16ml

<b>Code</b>	3534000
<b>Box Qty.</b>	25
<b>Compressible Volume</b>	10-13ml

Sterile option available

(S\*) Add an S to the seven digit code number for the sterile version of this product eg. 5000000S (sterile box quantity is shown in brackets).

## Smoothbore catheter mounts

A range of Smoothbore catheter mounts providing good flow characteristics, lower tubing compliance and clear, crush-resistant tubing. Available in a variety of lengths with double swivel elbows and double flip top caps. For added safety all Intersurgical port caps are fixed to the connectors, to prevent loss or misplacement in use.

Please see page 4 for the guide to ports and caps



▶ Video available at [www.intersurgical.com](http://www.intersurgical.com)

<b>Code</b>	5120000 (S*)
<b>Box Qty.</b>	50 (85*)
<b>Compressible Volume</b>	30ml

<b>Code</b>	5180000 (S*)
<b>Box Qty.</b>	50 (85*)
<b>Compressible Volume</b>	37ml

<b>Code</b>	5180104 (S*) <i>NEW</i>
<b>Box Qty.</b>	50 (85*)
<b>Compressible Volume</b>	25ml

<b>Code</b>	5180114 (S*) <i>NEW</i>
<b>Box Qty.</b>	50 (85*)
<b>Compressible Volume</b>	36ml

<b>Code</b>	5180193 (S*) <i>NEW</i>
<b>Box Qty.</b>	50 (85*)
<b>Compressible Volume</b>	35ml

<b>Code</b>	5180197 (S*) <i>NEW</i>
<b>Box Qty.</b>	50 (85*)
<b>Compressible Volume</b>	35ml

<b>Code</b>	5180199 (S*) <i>NEW</i>
<b>Box Qty.</b>	50 (85*)
<b>Compressible Volume</b>	35ml

<b>Code</b>	5250000 (S*)
<b>Box Qty.</b>	50 (50*)
<b>Compressible Volume</b>	51ml

## Clear patient connections – reprocessable

A range of reprocessable clear, latex-free connectors with added grip feature to help with the 'push & twist' method to ensure a good gas-tight fit.

The reusable range of polysulfone connectors are designed for use with silicone and Hytrel® tubing. The transparent material allows excellent visibility through the connector. Good dimensional stability over a broad temperature range makes them ideal for reprocessing by steam sterilisation.



<b>Code</b>	9114000
<b>Box Qty.</b>	5

<b>Code</b>	9115000
<b>Box Qty.</b>	5

<b>Code</b>	9120000
<b>Box Qty.</b>	5

Sterile option available

(S\*) Add an S to the seven digit code number for the sterile version of this product eg. 5000000S (sterile box quantity is shown in brackets).

Hytrel is a registered trademark of DuPont.