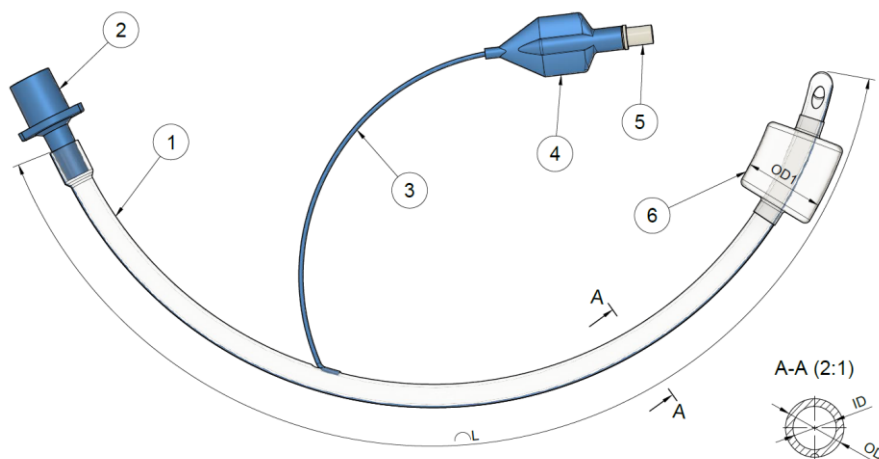


**General description**


- Oral – nasal
- Elongate length of the tube
- Murphy type
- Made of siliconized thermosensitive PVC
- Transparent
- Extra high volume low pressure cuff with thin walls
- RTG contrast line
- Clear tube markings
- 15 mm connector (ISO 5356-1)
- Marked pilot balloon
- Latex free, phthalate free, single use
- Stainless steel reinforcement (optional)

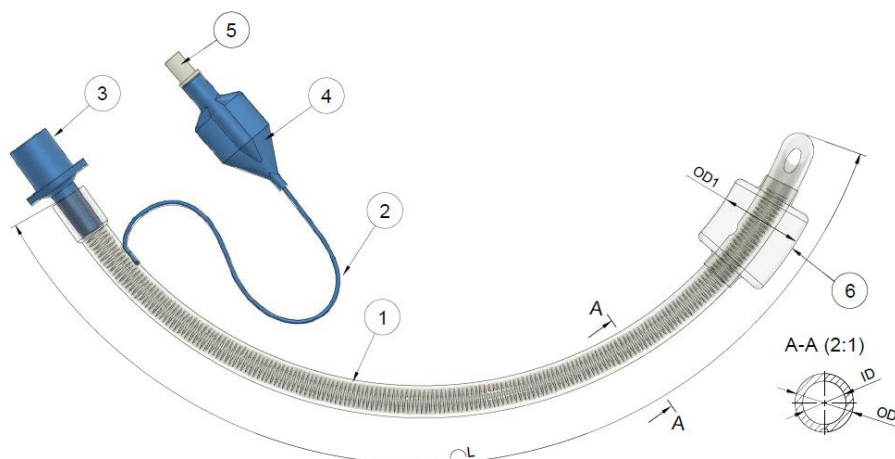
**Design features**

MICROLARYNGEAL TRACHEAL TUBE - STANDARD				
SIZE/INNER Ø ID [MM]	OUTER Ø OD [MM]	CUFF Ø OD1 [MM]	LENGTH L [MM]	REFERENCE NUMBER
4,0	5,4	25,0	365	05-4010
5,0	6,9	28,0	365	05-5010
6,0	8,2	28,0	365	05-6010



PART NO.	PART NAME	MATERIAL
1	Tube body	PVC
2	Connector	polymer
3	Filling drain	PVC
4	Pilot balloon	PVC
5	Check valve	PVC, polymer, stainless-steel
6	Cuff	PVC

MICROLARYNGEAL TRACHEAL TUBE - REINFORCED				
SIZE/INNER Ø ID [MM]	OUTER Ø OD [MM]	CUFF Ø OD1 [MM]	LENGTH L [MM]	REFERENCE NUMBER
4,0	6,0	25,0	365	05-4012
5,0	7,5	28,0	365	05-5012
6,0	8,8	28,0	365	05-6012



PART NO.	PART NAME	MATERIAL
1	Tube body	PVC, stainless-steel
2	Filling drain	PVC
3	Connector	polymer
4	Pilot balloon	PVC
5	Check valve	PVC, polymer, stainless-steel
6	Cuff	PVC

## Delivery

### Standard delivery :

- Package dimension:  
399 x 399 x 360 mm
- Quantity – 100 pcs.
- Approximate weight of the package:  
3,1 -5,0 kg (for SIZE: 4,0 – 6,0)

### Custom delivery

Minimum order quantity – 10 pcs.