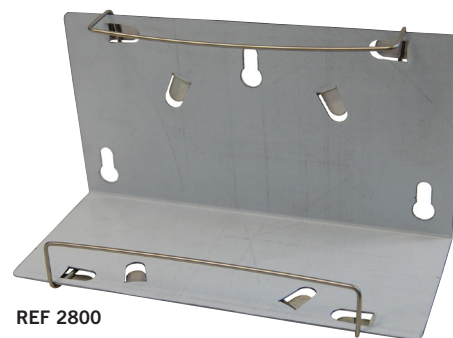


Dispenser holders for Surgical Masks and Headwear



REF 2800



Features and Benefits

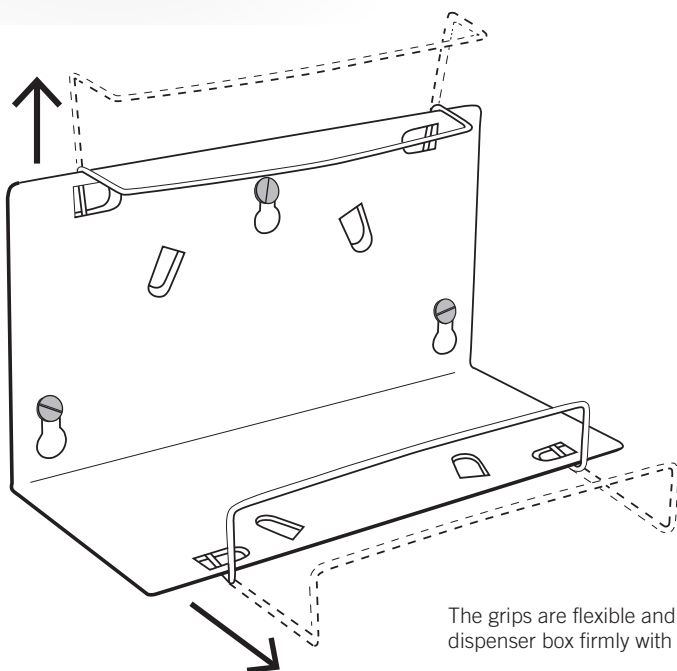
- Adjustable to fit dispensers in the evercare® mask and headwear assortment
- Available in 2 sizes; “small dispensers and large dispensers”
- Made of stainless steel that enable you to clean the holder easily
- Convenient in the right place in tidy appearance
- Simplicity in refilling; just change the box
- Easy to access the mask or headwear from the dispenser
- Cost efficient

Use

- Outside the operating room, on the wall, next to the disinfection/hand scrub area
- At the entrance to the Intensive Care Unit
- In emergency/acute care centers examination rooms
- In the microbiological laboratories the sterilization departments

Suits masks:

2850, 2851, 2853, 2855, 2856,
2858, 2857, 2860, 2865, 2875, 2876



The grips are flexible and they hold the dispenser box firmly with tensioned wires.

Dispenser holders for Surgical Masks and Headwear

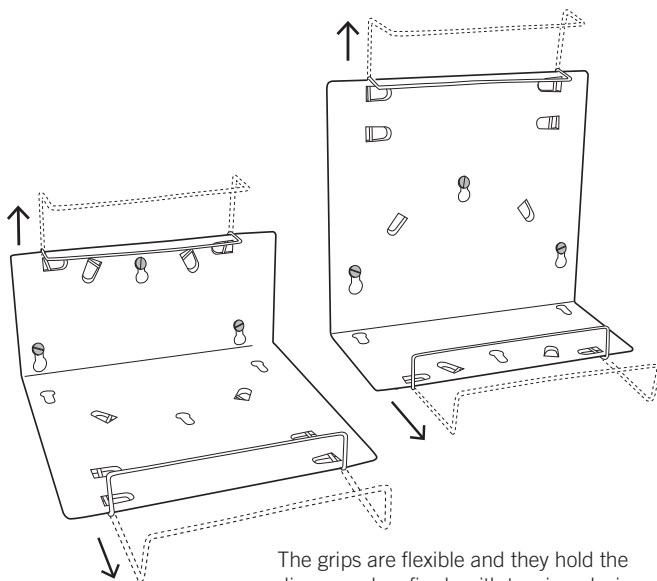


Suits masks:

2852 and 2854

Suits caps:

2770, 2773, 2774, 2776, 2777, 2778, 2779, 2780,
2781, 2782, 2783, 2784, 2785, 2788, 2791



The grips are flexible and they hold the dispenser box firmly with tensioned wires.



REF 2700

Features and Benefits

- Adjustable to fit dispensers in the evercare® mask and headwear assortment
- Available in 2 sizes; “small dispensers and large dispensers”
- Made of stainless steel that enable you to clean the holder easily
- Convenient in the right place in tidy appearance
- Simplicity in refilling; just change the box
- Easy to access the mask or headwear from the dispenser
- Cost efficient

Use

- Outside the operating room, on the wall, next to the disinfection/hand scrub area
- At the entrance to the Intensive Care Unit
- In emergency/acute care centers examination rooms
- In the microbiological laboratories the sterilization departments

