

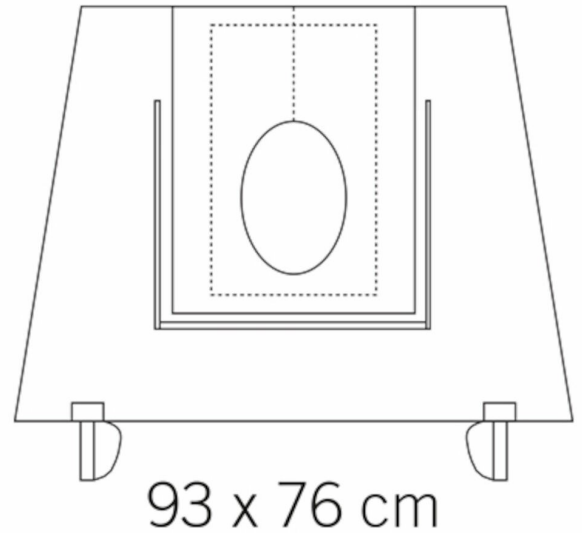
## evercare<sup>®</sup> Fluid collection pouch, shoulder, 93 x 76 cm

REF: 1876

evercare<sup>®</sup> Fluid Collection pouch, shoulder, sterile is a transparent pouch which contains an adhesive strip. Designed to collect irrigation fluids and tissue specimens during surgical procedures.

### Key Features

- ▶ Shoulder pouch for arthroscopy.
- ▶ 2 drainage ports for efficient fluid handling.
- ▶ Adhesive that can be applied to drapes or patient.
- ▶ Fits and compatible well with special designed split drapes.

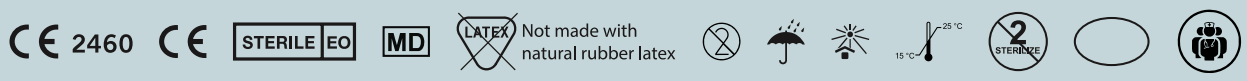


| REF  | DESCRIPTION  | SIZE       | Pack Count dispenser/carton |
|------|--|------------|-----------------------------|
| 1876 | Fluid Collection pouch, shoulder, sterile, Transparent | 93 x 76 cm | 11 / 44                     |

Sales Unit: Transport Carton

## Regulations

The product complies with legal requirements for medical devices. EO sterilized according to valid version of ISO 11135 standard.



**REACH regulation:** The products covered by this data sheet do not contain substances classified as carcinogenic, mutagenic or toxic for reproduction (CMR), including any of the Substances of Very High Concern (SVHC) as listed in the latest available version of the Candidate List published by European Chemicals Agency (ECHA).

**Biological evaluation:** EN ISO 10993-01  
EN ISO 10993-7

**Compliance with legal requirements:** Medical Device Regulation (EU) 2017/745, MDR class Is

**Compliance with product standards:** EN ISO 11135

**Quality standards:** EN ISO 13485

**Label information and packaging compliance:** EN ISO 15223-1, EN ISO 20417, EN ISO 11607-1

## Material

| Product Part                          | Raw Material & Characteristics |
|---------------------------------------|--------------------------------|
| Material                              | Transparent PEVA, anti-static  |
| Valve for fluid collection pouch      | PE, white                      |
| Metal wire for fluid collection pouch | PE coated aluminium            |

## Warnings & Recommendations

|                                |   |
|--------------------------------|---|
| <b>Warnings</b>                | The product is single use. If reused, the performance of product may deteriorate and cross contamination may occur.<br>Do not use if package is damaged.    |
| <b>Storage Recommendation</b>  | Recommended storage in clean, dry space in ambient temperature. Products should be protected from direct sunlight, other intensive light sources and ozone. |
| <b>Disposal Recommendation</b> | Dispose in accordance with local regulations.   |
| <b>Shelf Life</b>              | 5 years   |

## Packing Information

| Package          | Material                         | Size ( L x W x H ) mm |
|------------------|----------------------------------|-----------------------|
| Single Pack      | Medical grade paper, PE/PET film | 250 x 390             |
| Dispenser Pack   | TCF or ECF quality               | 285 x 242 x 287       |
| Transport Carton | TCF or ECF quality               | 500 x 310 x 590       |
| Packing Tape     | Transparent                      | N/A                   |

## Barcodes / UDI-DI

| REF  | Single Pack    | Dispenser      | Transport Carton |
|------|----------------|----------------|------------------|
| 1876 | 06438129119138 | 06438129319132 | 06438129519136   |

Evercare Medical AB is a partner that enables better lives for patients, facilitates everyday life for healthcare employees and contributes to lower care costs. We strive to reduce the environmental impact and, together with our suppliers, to improve working conditions throughout the value chain.