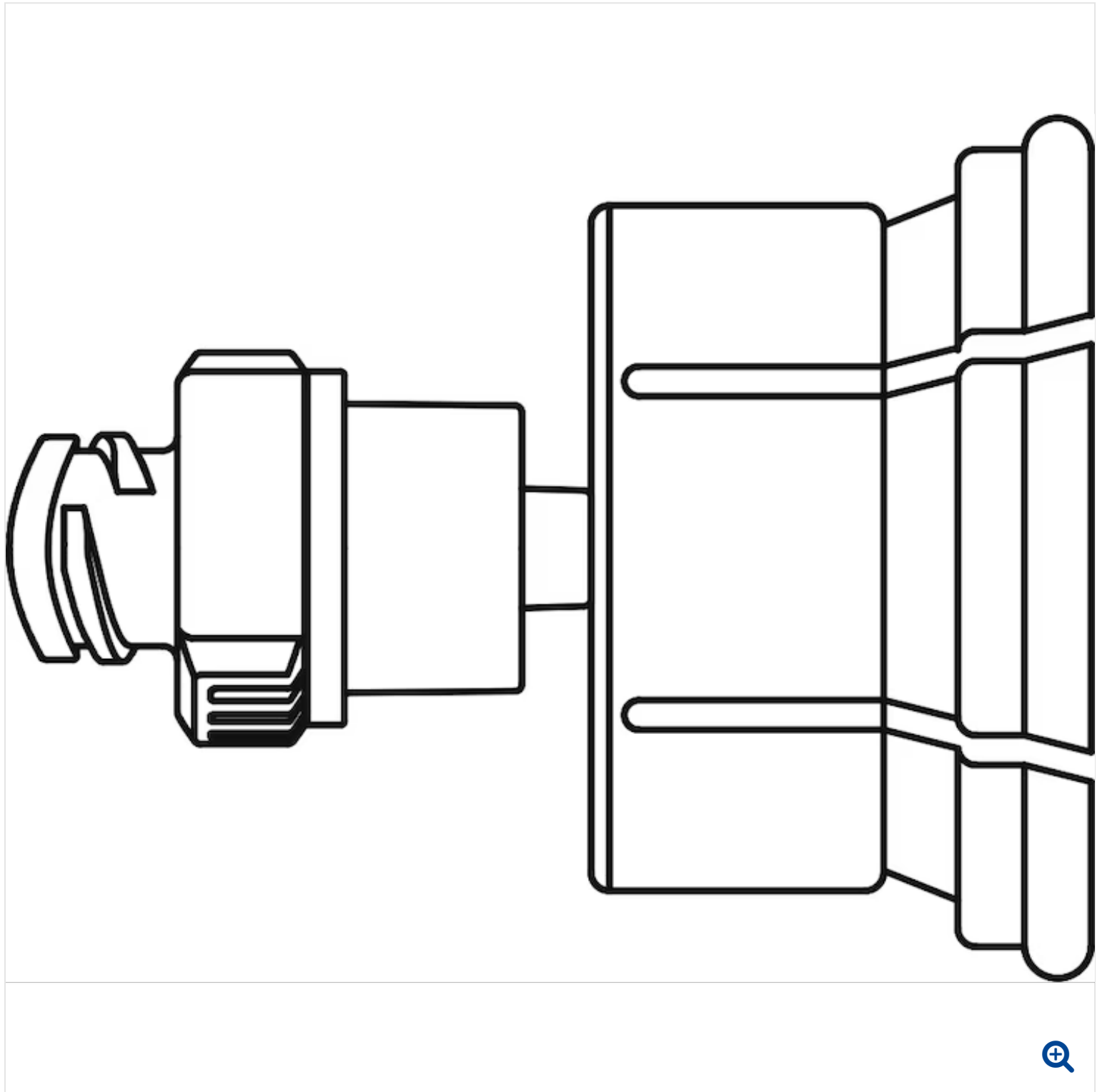


385108



BD Q-Syte™ needle-free connector

SKU/REF 385108

SKU/REF Name BD Q-Syte™ Vial Access Adapter

Specifications

Priming Volume (mL)	0.16
Needle-Free Connector	BD Q-Syte™
Type of Luer	Female
DEHP	DEHP-Free
Sterilization Method	Ethylene Oxide
Country of Manufacture	Mexico
Classification	IIa
Quantity per Box	25
Quantity per Case	100
Shelf Life	5 Years
Additional Information	Fits 20 mm vials

Please note, not all products, services or features of products and services may be available in your local area. Please check with your local BD representative.



COMPANY

[About BD](#)

[BD values](#)

[Regulatory documents](#)

[Careers](#)

SUPPORT

[Support](#)

[Contact us](#)

[COVID-19](#)